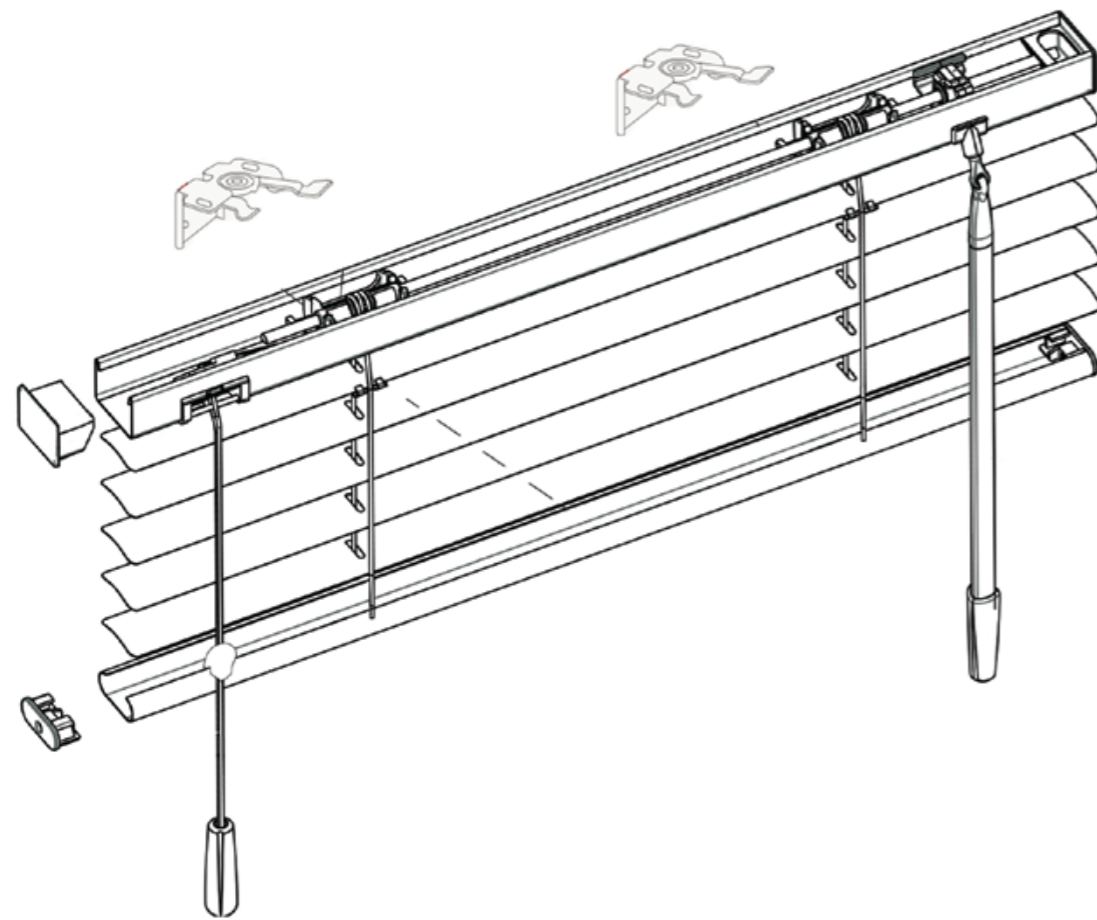


style.



aluminium
venetians

25mm ALUMINIUM VENETIAN



25mm ALUMINIUM VENETIAN

Features

They provide a cost-effective, flexible shading solution offering multiple levels of light control with a simple slat movement.

Benefits

The slats are made from high tensile aluminium coil in a 0,19 mm gauge thickness for enhanced durability. Aluminum blinds are outstanding for larger windows, incredibly durable and about as lightweight as window coverings get, making them an ideal option for many commercial projects.

Options

Choose from a wide choice of colours in 25mm, along with perforated finishes.

Maximum Measurements

	25mm
Maximum width	3,0 m
Maximum height	3,0 m
Maximum surface	9,0 m ²

Available colours

More than **80 colors** available to select from.

Technical specifications

	25mm Slat
Minimum width for controls on same side	32 cm
Minimum width for controls on opposite sides	28 cm
Maximum width	300 cm
Minimum height	5 cm
Maximum height	300 cm

Stacking size

Width	89mm Slat
80 cm	5,66 cm
120 cm	6,38 cm
160 cm	7,10 cm
200 cm	7,82 cm
240 cm	8,58 cm
300 cm	9,66 cm