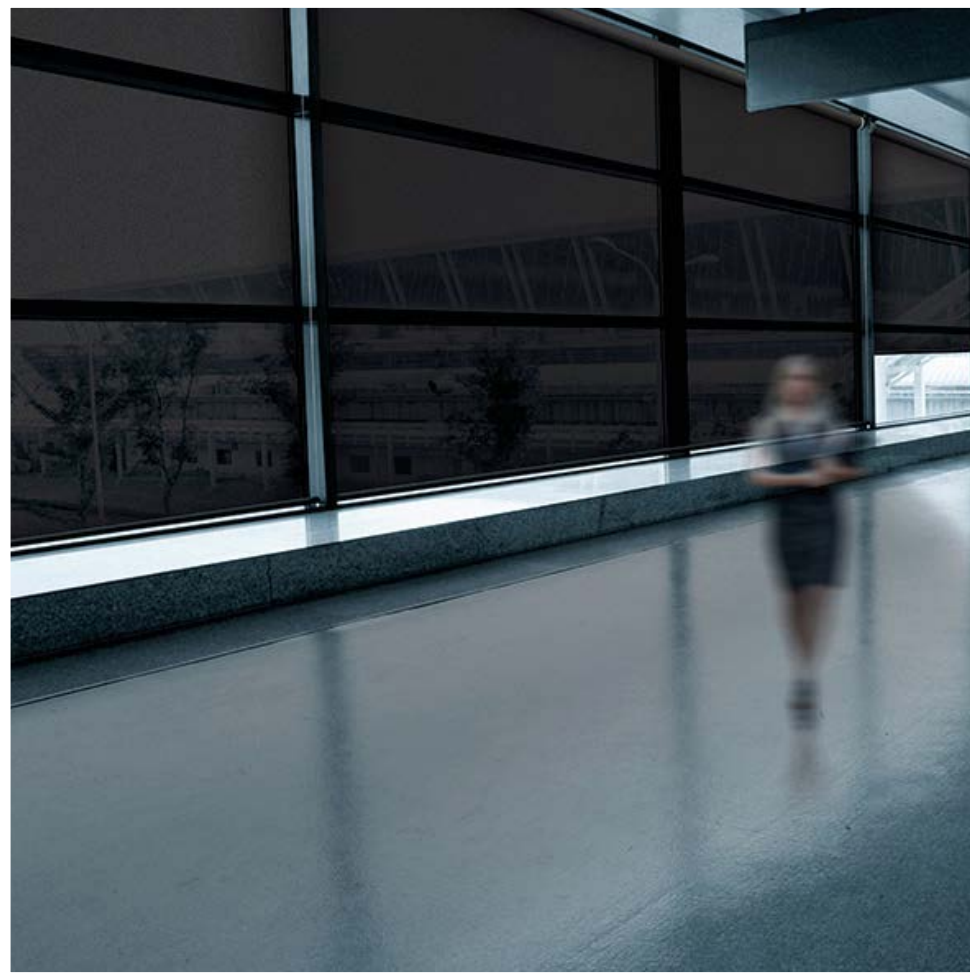


style.



S100
EXTREME
SYSTEM

S100 EXTREME SYSTEM

S100

With the ability to achieve up to 7m width, the S100 Extreme System consists of robust hardware and a premium aluminium cassette, providing a solution for significantly heavier and impressive shading systems. The perfect solution for internal applications, domestic or commercial.

AESTHETICAL FEATURES

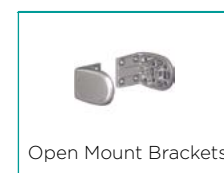
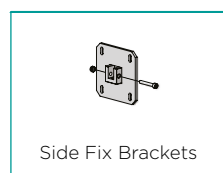
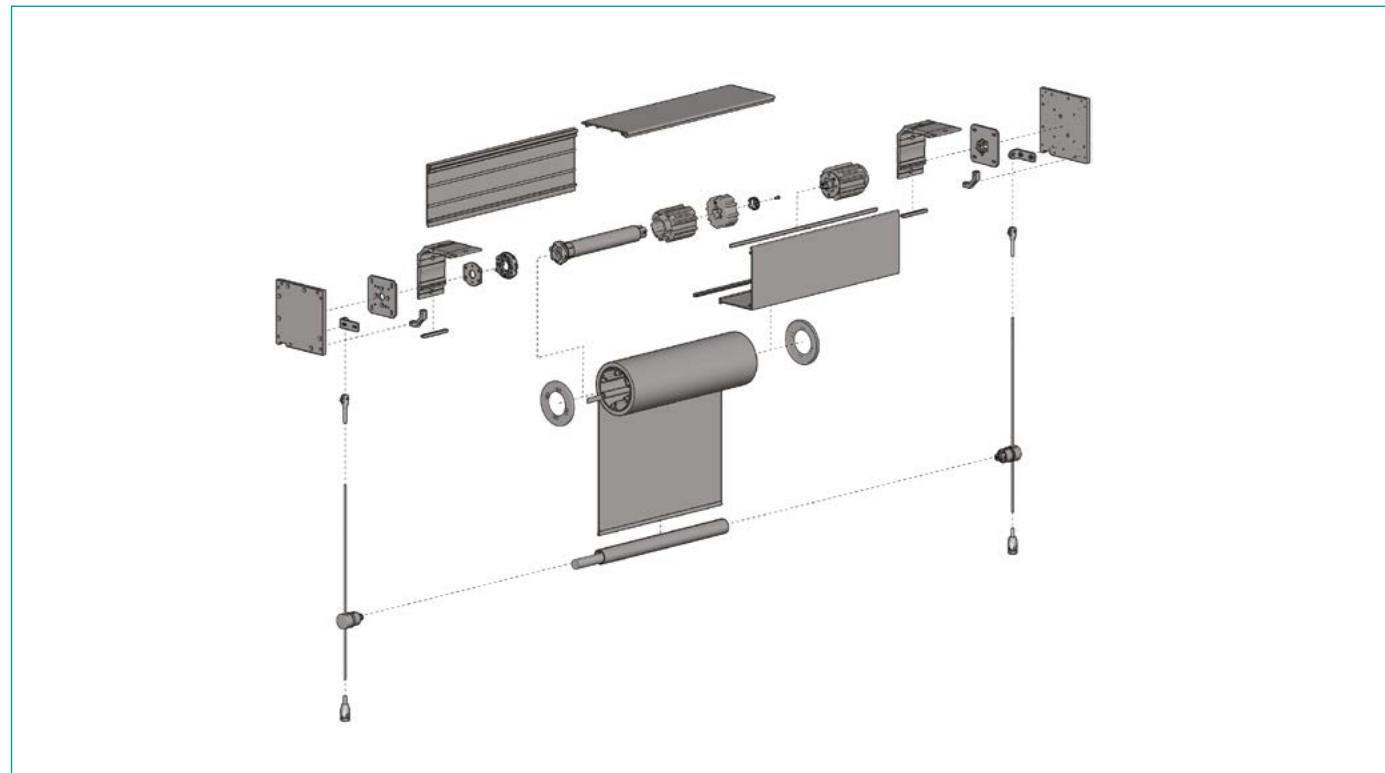
- Powder coated robust die cast brackets
- Stylish cassette hides componetry while offering a sophisticated overall look

ASSEMBLY / INSTALLATION BENEFITS

- Universal motor adaptor with fixing screws to ensure a secure attachment for large blinds
- Round heavy duty weight bar with floating end caps for self-adjusting alignment
- Easy wire guide tensioning at base
- Adjustable bearing idler

FUNCTIONAL BENEFITS

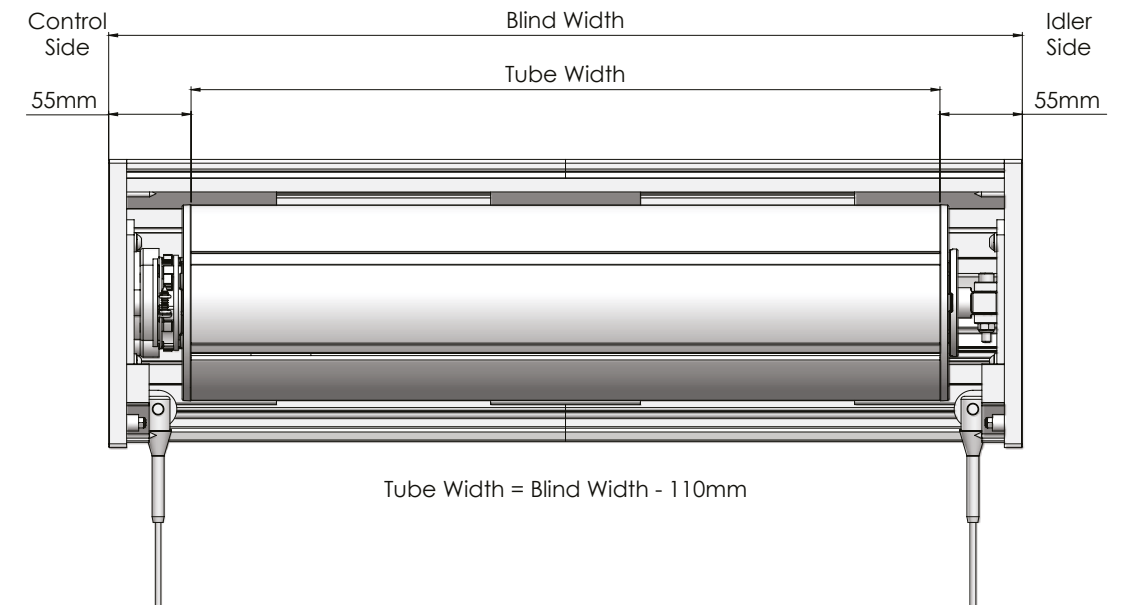
- Motorised or crank gear control options
- Top, face and side fix applications
- Heavy duty tubes & weight bar



S100 EXTREME SYSTEM

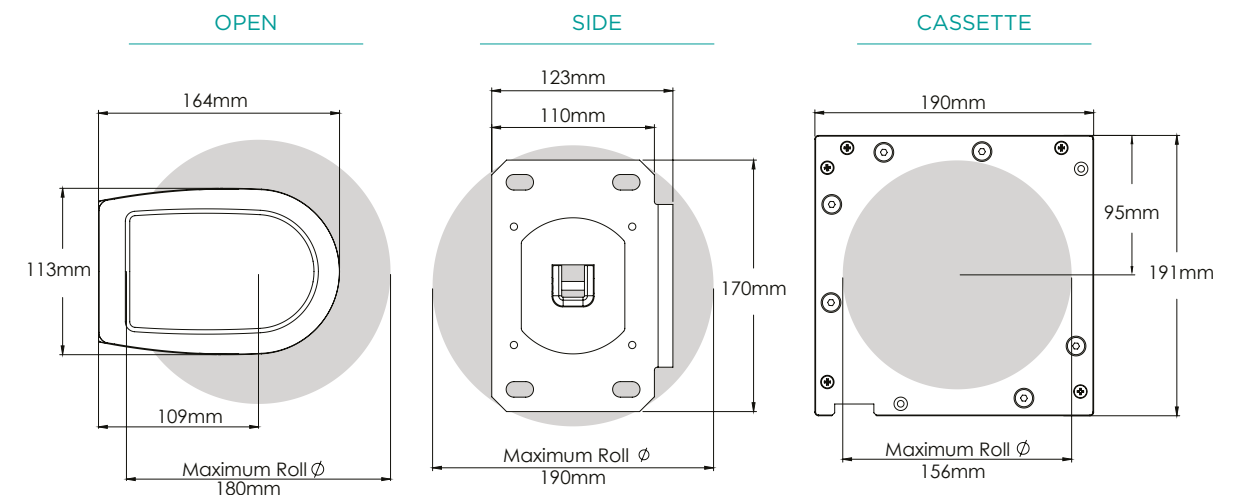
DEDUCTIONS

Top/face fix motorised example shown.



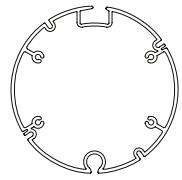
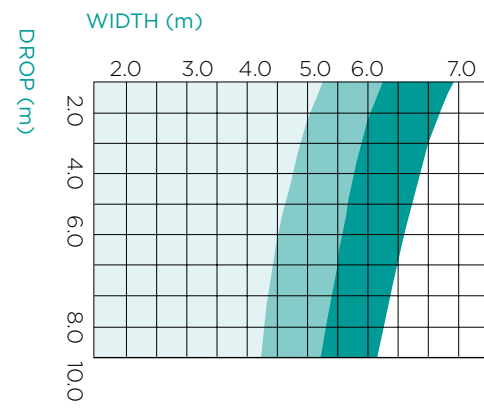
CONFIGURATION	Control End		Idler End		Total	
	Motor	Gear	Motor	Gear	Motor	Gear
BOX 190	55mm	67mm	55mm	55mm	110mm	122mm
EXTREME OPEN	55mm	73mm	60mm	64mm	115mm	137mm
EXTREME SIDE	48mm	60mm	48mm	48mm	96mm	108mm

MAX. ROLL DIAMETER

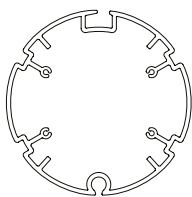


S100 EXTREME SYSTEM

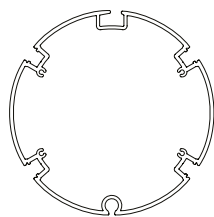
ALUMINIUM TUBES TUBE CAPACITY CHART



S100 | 110 STANDARD



S100 | 130 HEAVY DUTY



S100 | 160 EXTRA HEAVY DUTY

