

# EASY SPRING SERIES



## ULTIMATE CHILD SAFE SOLUTION

Eliminates potential choking hazards (loose chains/cords), complying with latest industry standards and regulations.

## AUTO-RISE FUNCTIONALITY

Ensures a smooth and controlled ascent, stopping the blind at the ideal top position.

## AESTHETICALLY PLEASING DESIGN

Slim, unobtrusive and stylish, featuring minimal light gaps.

## EASY INSTALLATION AND TUNING

Accessible wheel for top limit adjustments for efficient on-site maintenance. Easy one-person installation.



Advancing in technology through extensive research and development, our superior Easy Spring Ultra and Easy Spring Wand solutions keep Rollease Acmeda at the cutting edge of window furnishing trends.



## EASY SPRING WAND

This patented system resets the standard in child safe shades with user-friendly controls and slim line aesthetics, eliminating the need for free-hanging cords or chains.

The easy to use wand allows a continuous, seamless one-handed operation, providing an improved level of comfort when gripping the wand, particularly for impaired users. Unobtrusive and stylish, the wand provides an ideal operation for longer roller shades, controlling a broad range of shade sizes.

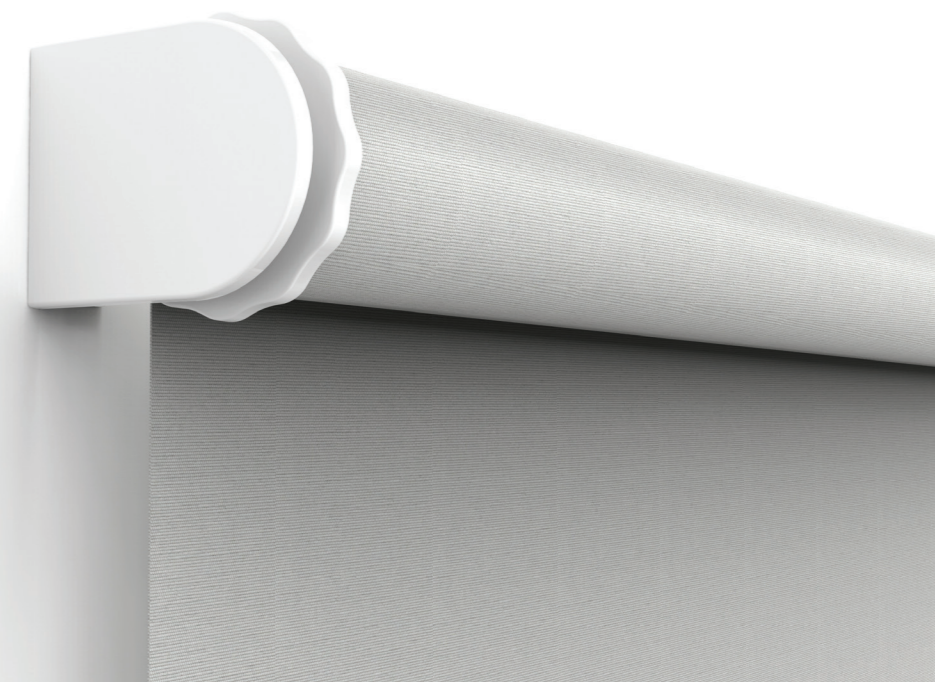
The dual operation further improves the user experience, allowing users to conveniently control the shade using either the wand or weight bar. The technologically advanced Auto-rise feature ensures smooth and controlled self-rising with only a light pull of the weight bar or wand, stopping at the ideal top position.

## EASY SPRING ULTRA

Our latest chain-free system uses the weight bar to operate the shade providing the perfect child-safe solution, and features an engineered design for a smooth ascent and improved functionality.

The Auto-rise feature with built in decelerator, enables the shade to come to a controlled stop at a desired top limit with one simple touch. The advanced technology of the simple and intuitive top limit setting function creates an effortless experience.

Tested to an impressive 7,000 cycles to ensure no loss of spring tension over time, for ultimate peace of mind.

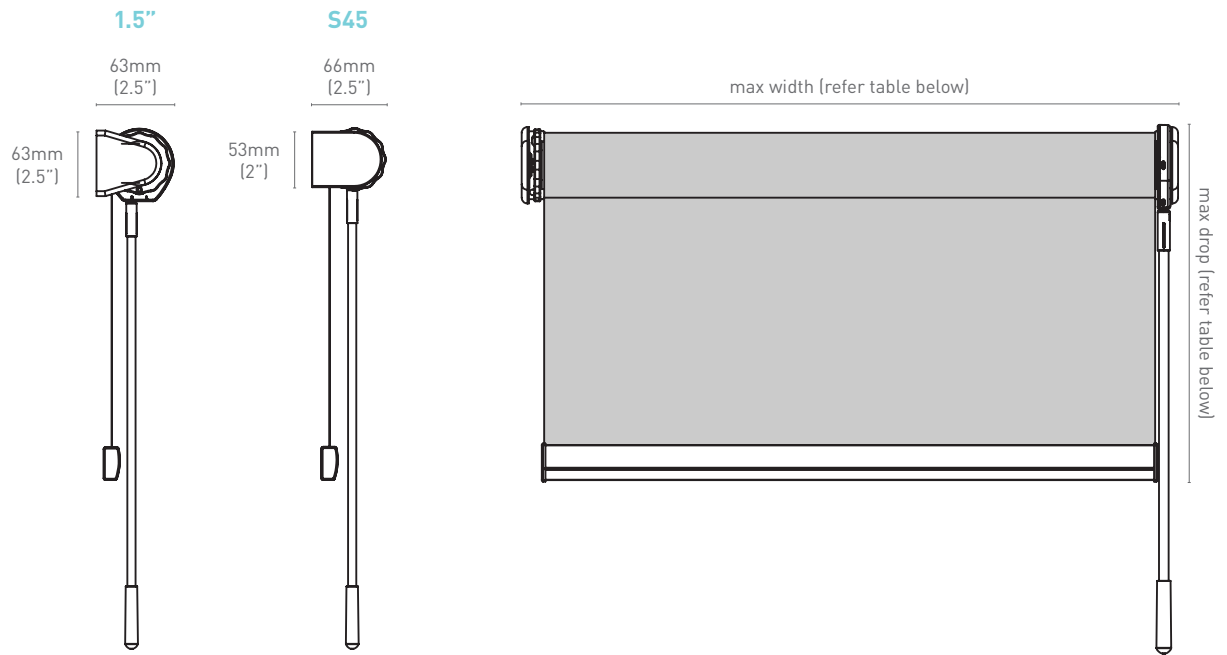


Suited to home and commercial applications, both systems incorporate plug-n-play compatibility across many other Rollease Acmeda solutions, to offer specifiers, installers and consumers improved flexibility, installation and cost options. For a premium finish, choose to easily pair either system with our range of cassettes.

# SPECIFICATIONS

## EASY SPRING ULTRA/WAND

Easy Spring Wand shown below for visual purposes



	Max Width				Max Drop			
	1.5"		S45		1.5"		S45	
Easy Spring Ultra	2.4m	94.5"	3.2m	126"	2.4m	94.5"	2.4m	94.5"
Easy Spring Wand	2.4m	94.5"	3.2m	126"	2.4m	94.5"	2.4m	94.5"

## COLOUR



Pure  
White